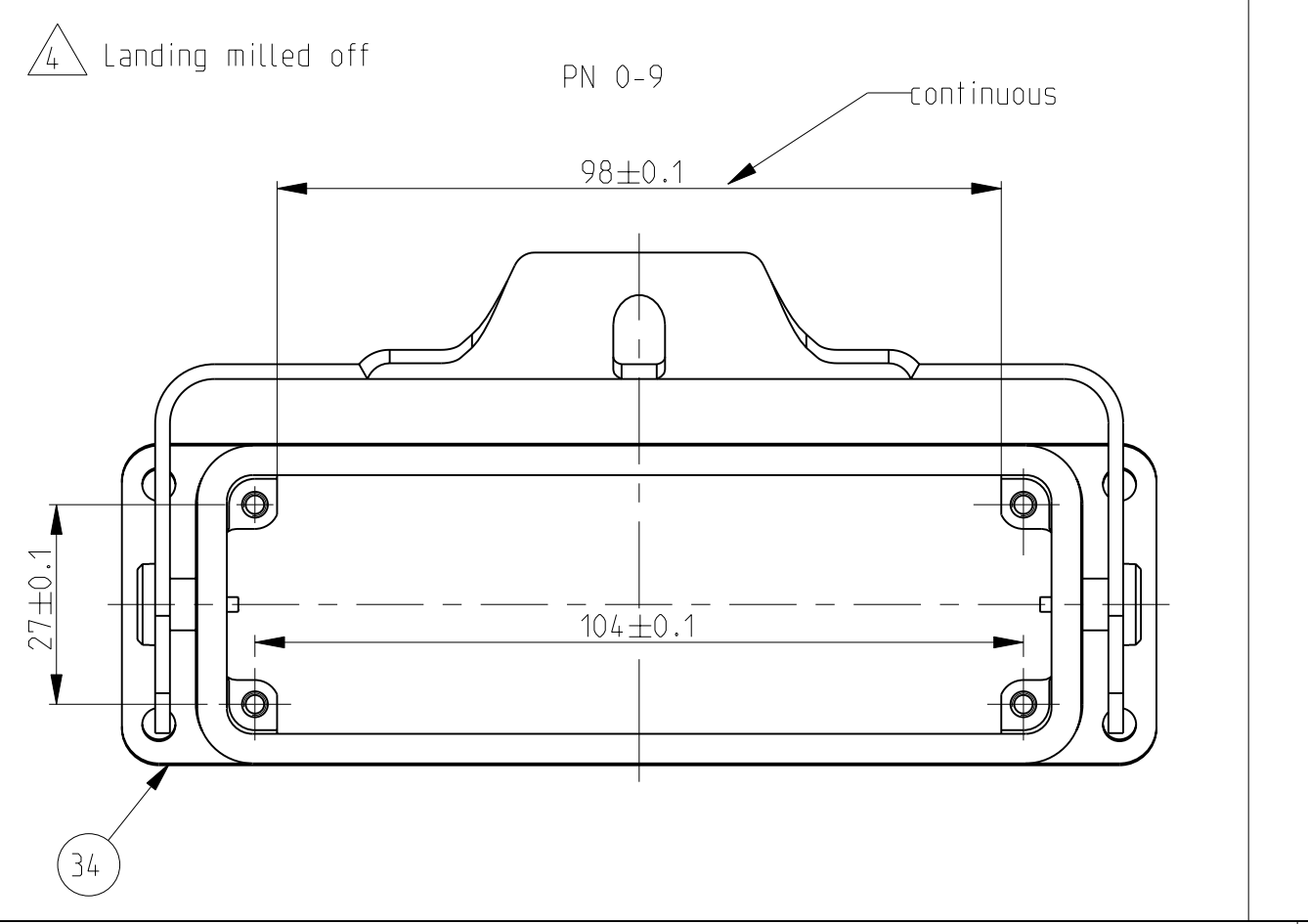
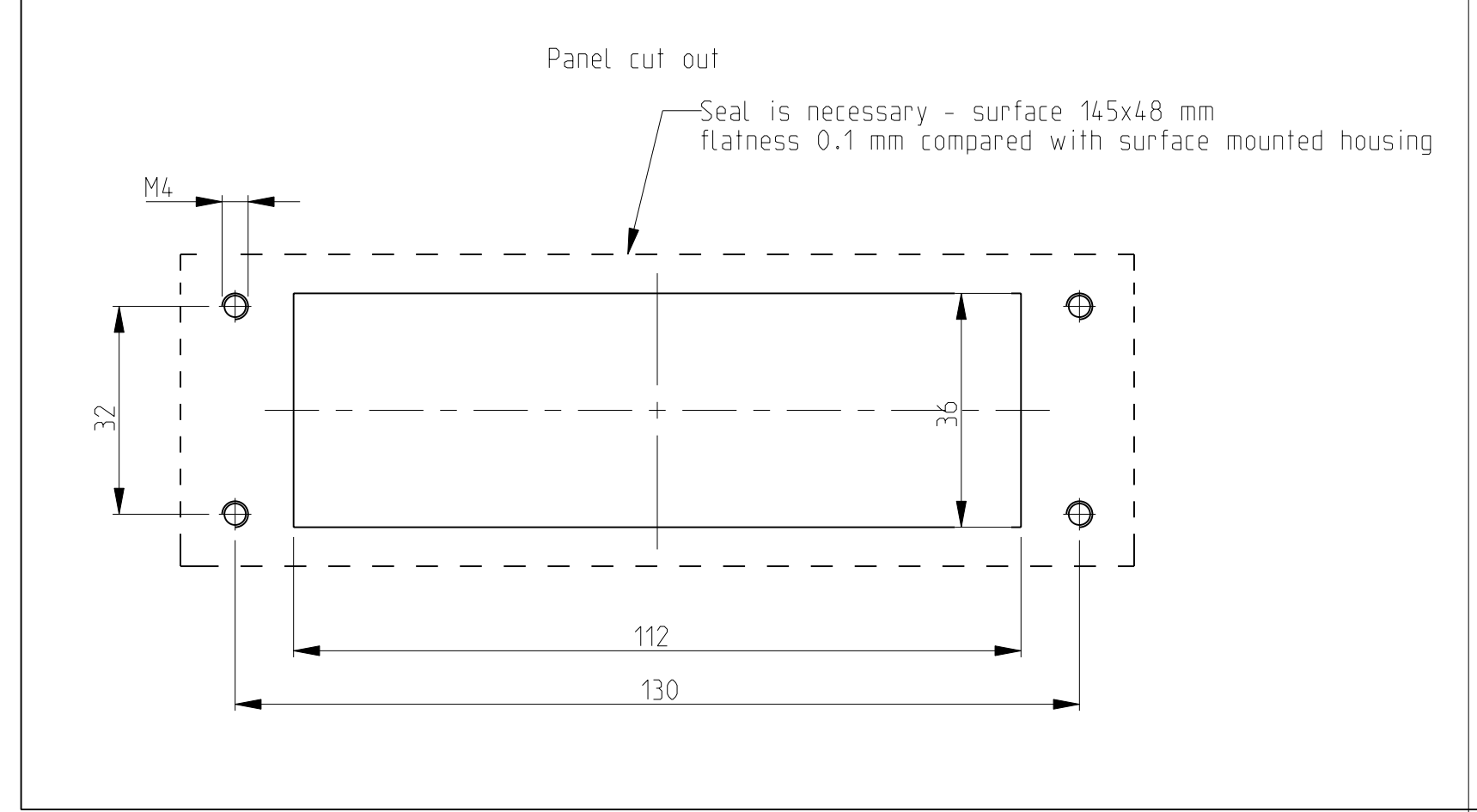
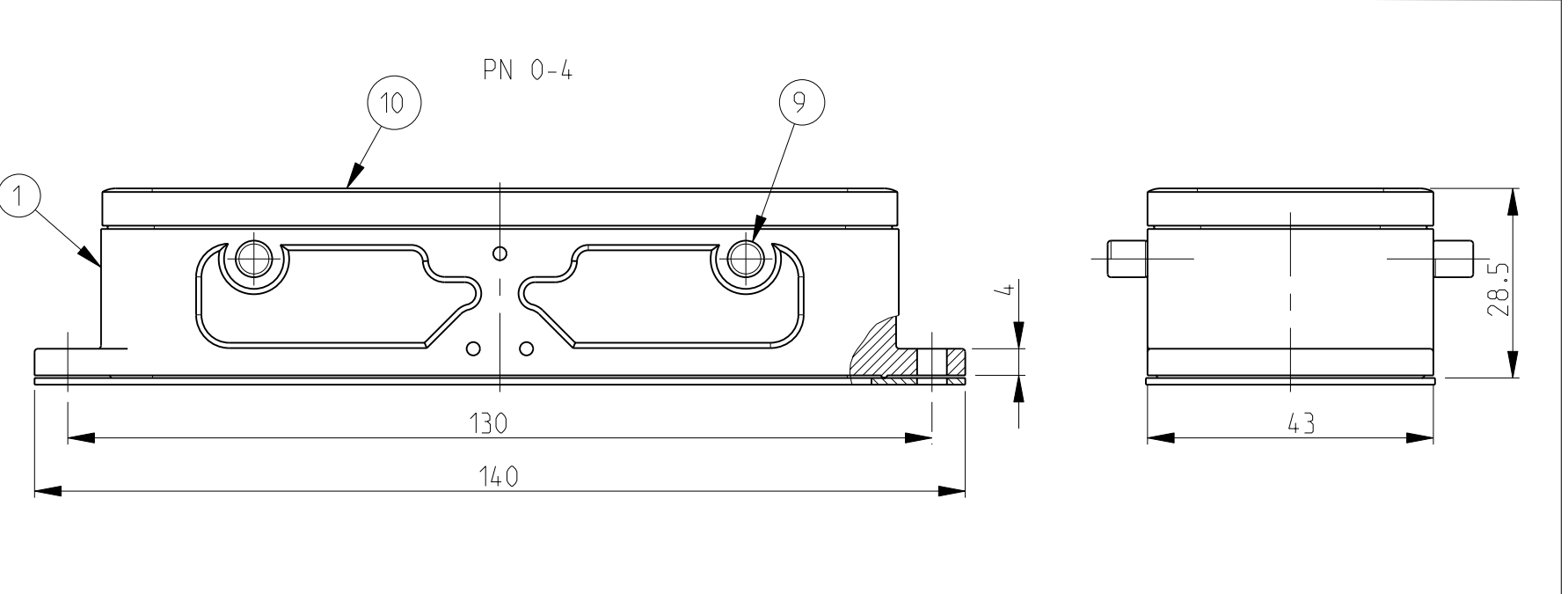
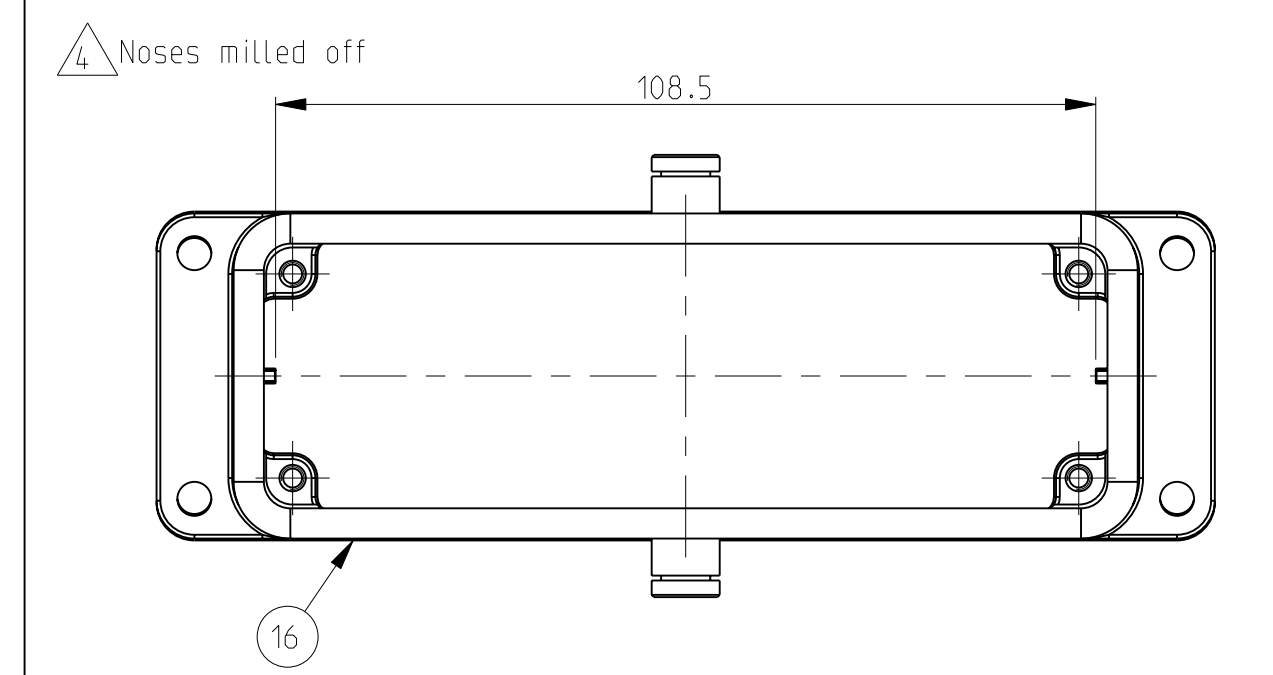
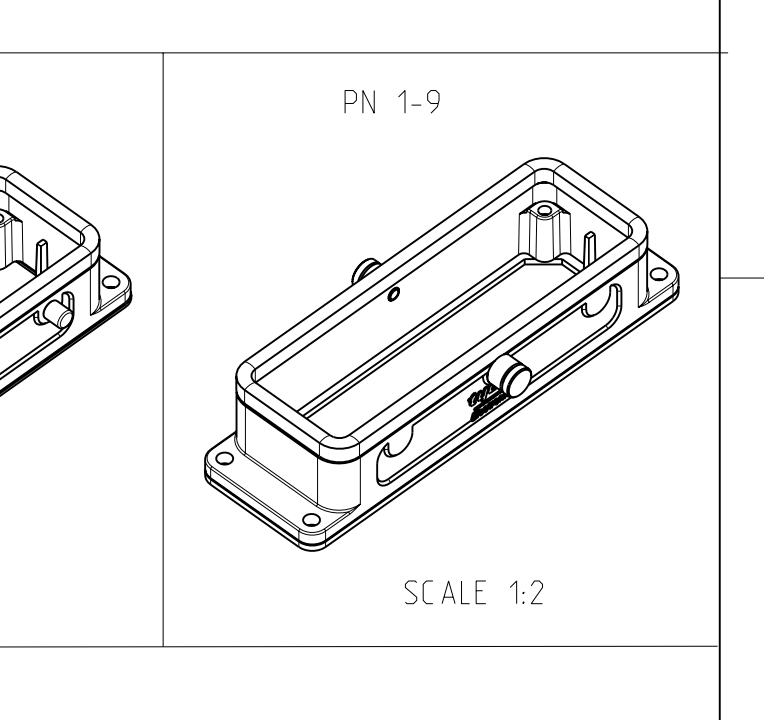
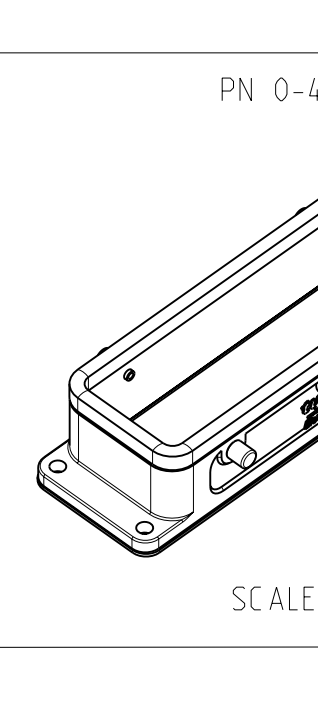
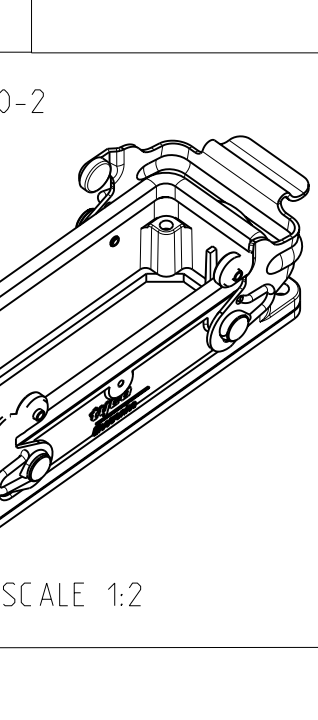
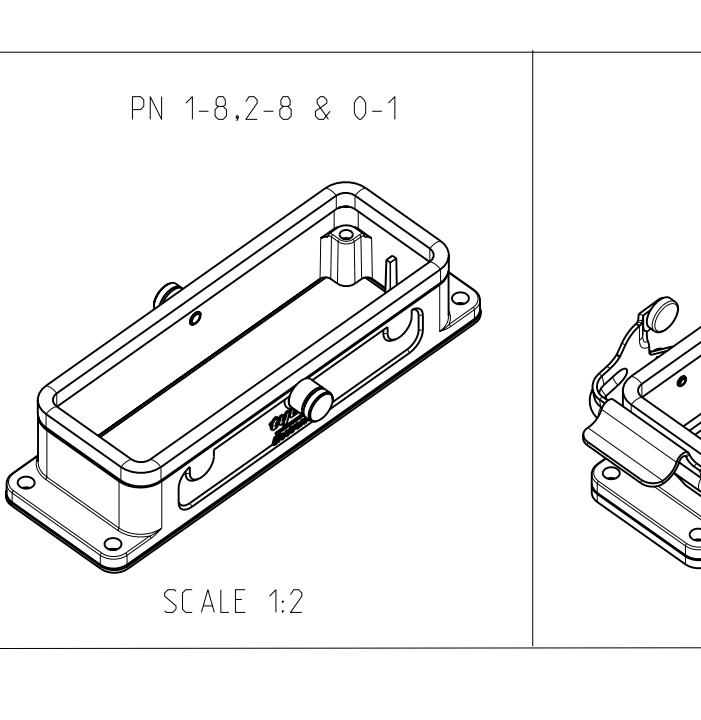
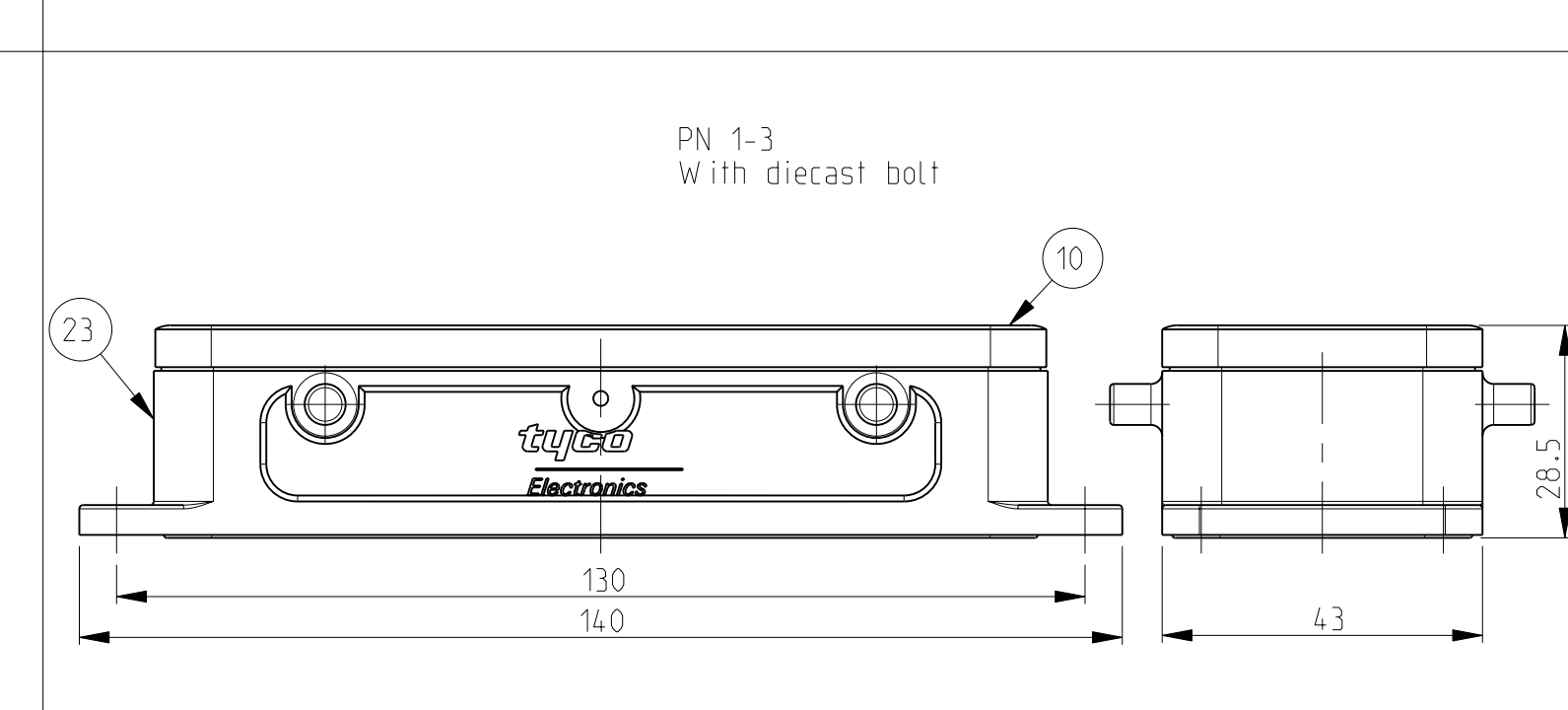
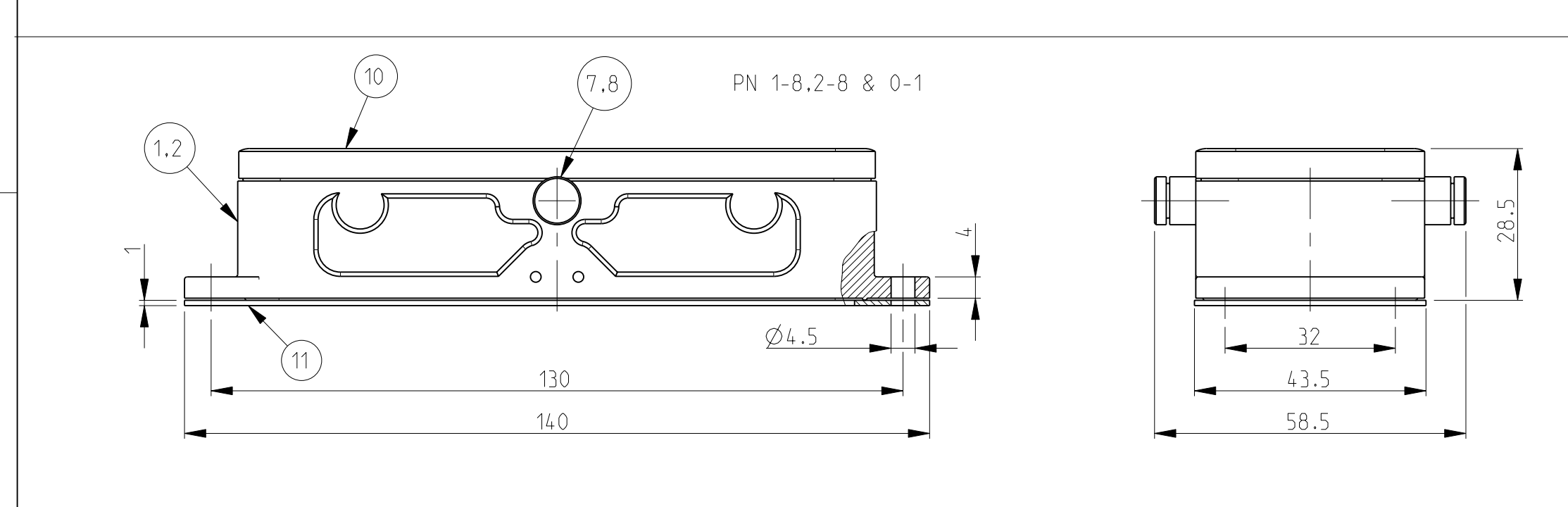
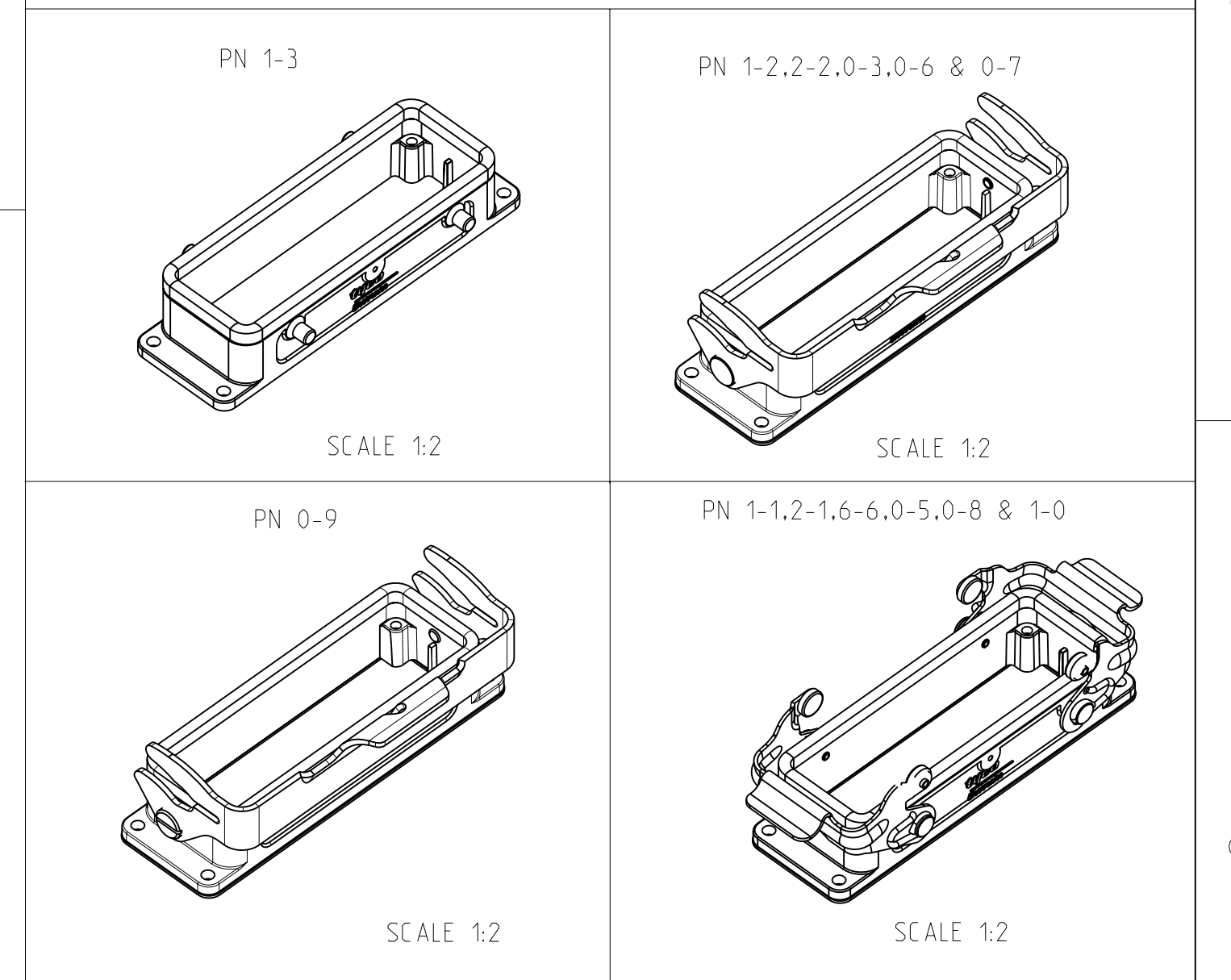
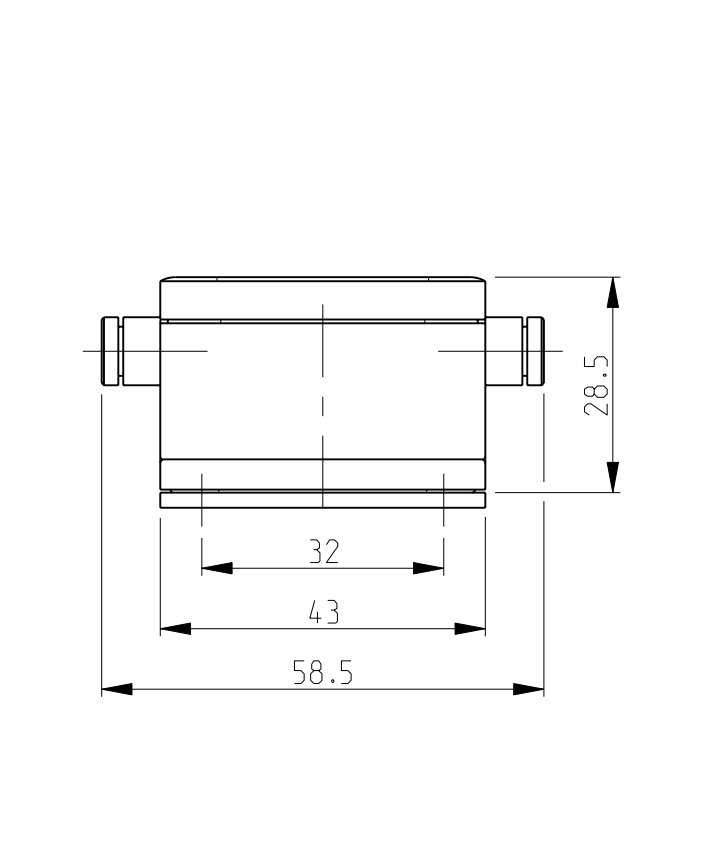
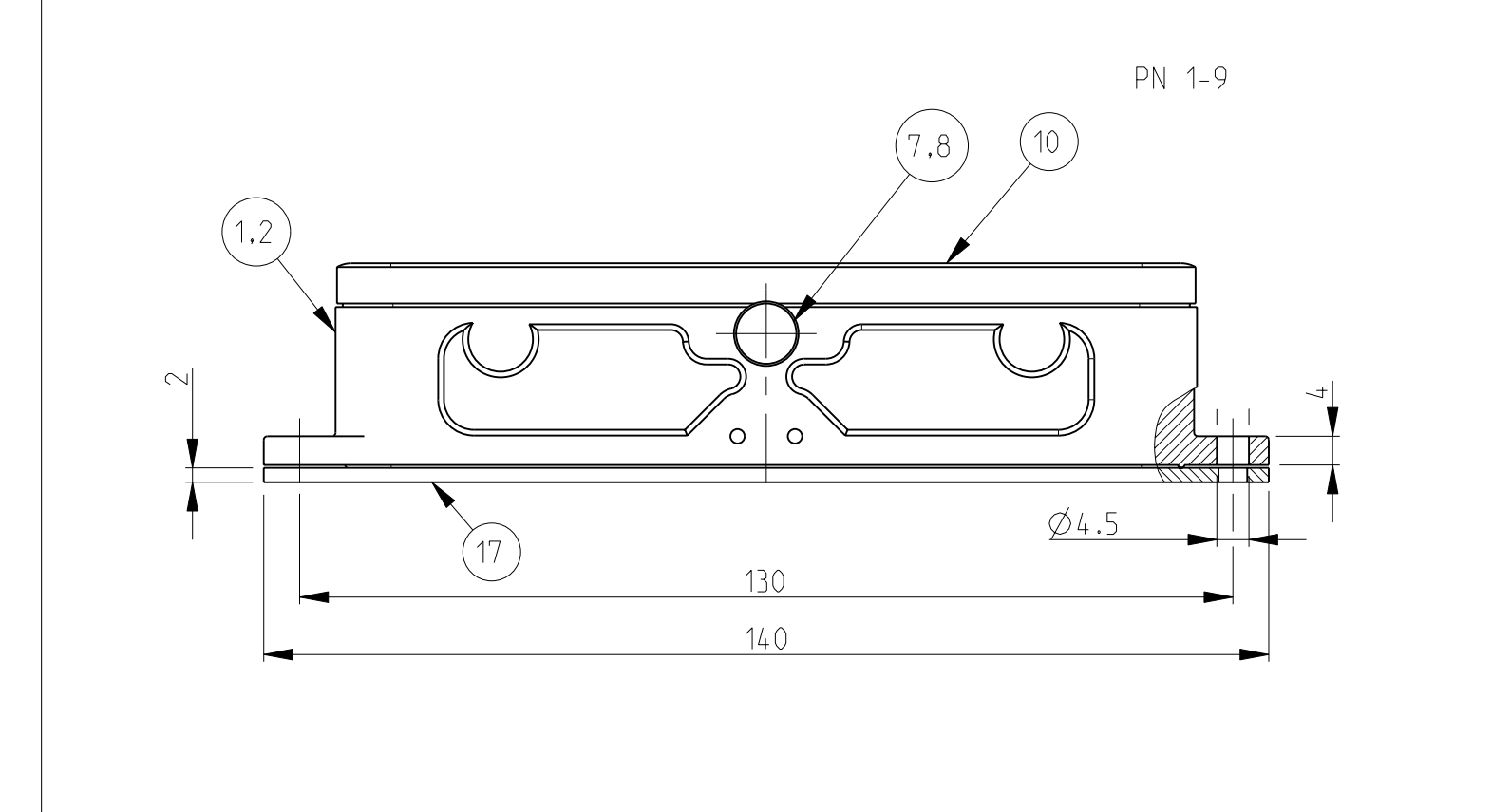
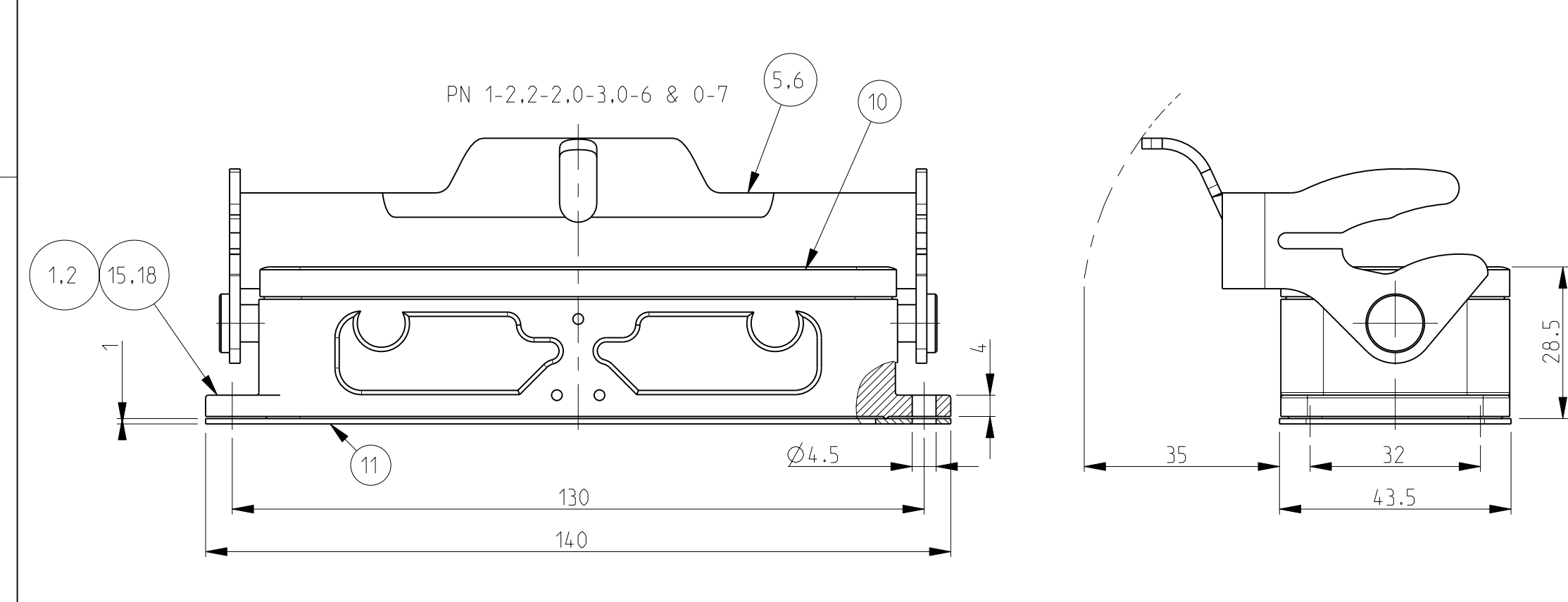


LOC	DIST	REV	DESCRIPTION	DATE	DWN	APVD
A1	-	B10	Released as ECR-08-020244	18.Aug.2008	SP	TS

NOTES

- Material : Housing : aluminium die casting alloy  
Seals : Neoprene : Viton
- Surface : Varnish - Grey  
- Aluminium oxide  
- Varnish black
- Varnish on the inside is not necessary
- Packaging  
Quantity 5 pieces in a box



ITEM NO	DESCRIPTION	MATERIAL	SURFACE	COLOR	ITEM NO	NOTES
1	Surface mounted housing side entry HB	Aluminium			23	With diecast bolt
1	Profile seal	Neoprene		Black	22	Conductive
1	Flange seal	Neoprene		Black	21	Conductive
1	Surface mounted housing side entry HB	Aluminium	Chromit AL TCP passivation	Black RAL9005	20	
1	Surface mounted housing side entry HB	Aluminium		Neutral	19	
1	Flange seal	Neoprene		Black	18	2 mm thick
1	Surface mounted housing side entry HB	Aluminium		Grey RAL7001	17	Noses milled off Δ
1	Surface mounted housing side entry HB	Aluminium		Grey	16	Without TE indication
1	Surface mounted housing side entry HB-K	Aluminium	Aluminium oxide	Blank	15	
1	Surface mounted housing side entry HB	Aluminium		Grey RAL7001	14	Elecon-Logo
1	Flanged seal	Viton		Black	13	
1	Profile seal	Viton		Light grey	12	3 mm thick
1	Flange seal	Neoprene		Black	11	1 mm thick
1	Profile seal	Neoprene		Black	10	
1	VS-Clip bolt	Steel	Zinc plated	Blue	9	
1	ZB-Clip bolt	Stainless steel		Blank	8	
1	ZB-Clip bolt	Steel	Zinc plated	Blue	7	
1	LB-Side clip	Stainless steel		Blank	6	
1	LB-Side clip	Steel	Zinc plated	Blue	5	
1	VS-Locking clip	Stainless steel		Blank	4	
1	VS-Locking clip	Steel	Zinc plated	Blue	3	
1	Surface mounted housing side entry HB-K	Aluminium	Aluminium oxide	Black RAL9005	2	
1	Surface mounted housing side entry HB	Aluminium		Grey RAL7001	1	

THIS DRAWING IS UNPUBLISHED. RELEASED FOR PUBLICATION 1999 BY TYCO ELECTRONICS CORPORATION. ALL RIGHTS RESERVED.

DIMENSIONS: mm

TOLERANCES UNLESS OTHERWISE SPECIFIED:  
 DIMENSIONS: ±0.1  
 ANGLES: ±0.5

MATERIAL: ALUMINUM

FINISH: BLACK

DWN: Schwieger 23.071997  
 CHK: Kramer 26.06.1998

NAME: Tyco Electronics

PRODUCT SPEC: 108-74001/74003  
 APPLICATION SPEC: 114-74001/74004/74005

SIZE: A1  
 CAGE CODE: 00779  
 DRAWING NO: C=1102291

RESTRICTED TO: B10

CUSTOMER DRAWING

SCALE: 1:1 SHEET: 1 OF 1